

Ref. : VP 5445S-02

Rev. : Initial

Date: 18/10/2016

Page : 1/1

BUTTERFLY VALVE WITH HANDLE

VP 5445S-02EP



APPLICATION

General use: cold water, hot water, air.

GENERAL TECHNICAL CHARACTERISTICS

Fabrication according to BS5155.
Type with smooth ears for mounting between flanges.
Stem in two parts
100% tightness in both ways.
Mounting plate according to ISO 5211.
Operated by handle.

CONSTRUCTION

7	1	Handle	Aluminium
6	1	O ring	NBR
5	4	Bushing	PTFE
4	1	Stem	Stainless steel 410
3	1	Sleeve	Heat EPDM
2	1	Disc	Epoxy coated carbon steel A216 WCB
1	1	Body	Carbon steel A216 WCB
Pos.	Q-ty	Description	Material

DIMENSIONS

DN	A	B	L	C	D	d0	ISO	K	E	4-d	B1	L1	L2	4-Ø	α°	Weight (kg)
50	2"	140	70	33	42	52,9	F05	65	50	4-7	11	62	200	4-18	90°	2,2
65	2"1/2	150	85	33	44,7	64,5	F05	65	50	4-7	11	62	200	4-18	90°	2,7
80	3"	158	94	33	45,2	78,8	F05	65	50	4-7	11	62	200	4-18	45°	3,0
100	4"	176	114	36	52	104	F07	90	70	4-10	11	74	275	4-18	45°	5,1
125	5"	190	127	36	54,4	123,3	F07	90	70	4-10	14	74	275	4-18	45°	6,5
150	6"	211	139	36	55,8	155,1	F07	90	70	4-10	14	74	275	4-22	45°	8,1

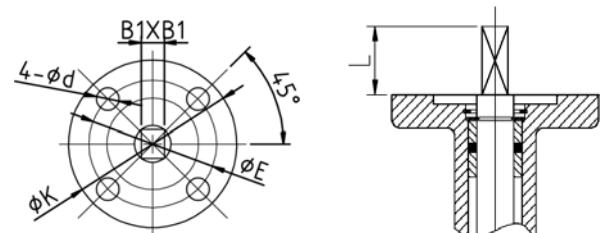
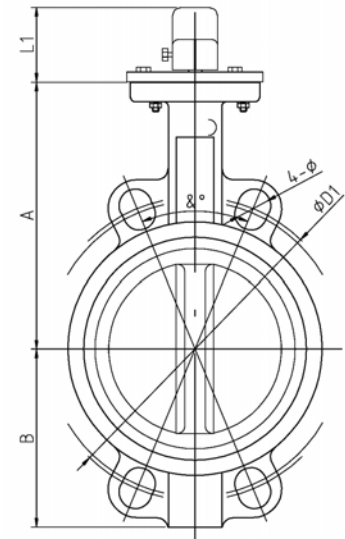
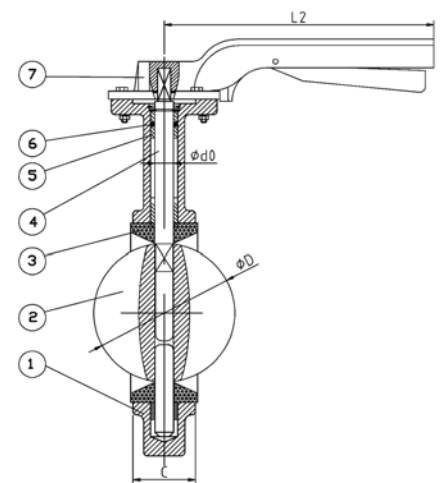
WORKING CONDITIONS

Maximum working pressure: 16 bar.
Maximum working temperature : -15°C / +130°C.
Peak temperature: -30°C / +150°C.

Test pressure according to EN 12266-1, DIN 3230, BS 6755 and ISO 5208 :
Body: 24 bar.
Seat: 17,6 bar.

STANDARDS

Blue epoxy coating RAL 5019.
Face to face dimensions according to NF EN 558-1 serie 20, ISO 5272 serie 20, DIN 3202.
Installation between flanges ISO PN10/16 following EN 1092-1, adjustable between flanges ASME B16.5 ASA150.



Mounting plate ISO 5211

The photographs and technical art works are not contractual. The specifications of the presented products are open to modifications without previous advice