

BIMETALLIC STEAM TRAPS AND AIR VENTS BM20R

DESCRIPTION

The BM20R series bimetallic steam traps and air vents are simple and robust traps, recommended for steam process applications where condensate sensible heat can be recovered, steam tracing lines, drip points, storage tank coils, steam air venting, etc. The use of condensate sensible heat reduces steam consumption.

MAIN FEATURES

- Modulating discharge.
- Discharges condensate below steam temperature. Easy condensate temperature adjustment without disconnecting the trap from the piping.
- Independent valve and seat placed in the low velocity flow area reduces erosion and extends product life.
- Low maintenance costs consequence of the split regulator design.
- Excellent air discharge.
- Freeze protection of condensate lines.
- Operates on superheated steam.
- Unaffected by water hammer and vibrations.
- Built-in strainer.

OPTIONS: Blowdown valve.
 Seat with check valve.

USE: Saturated and superheated steam.

AVAILABLE MODELS: BM20R – carbon steel, with external adjustable temperature control.

SIZES: 1/2" to 1"; DN 15 to DN 25.

CONNECTIONS: Female threaded ISO 7 Rp or NPT.
 Flanged EN 1092-1 PN 40.
 Flanged ASME B16.5 Class 150 or 300.
 Socket weld (SW) ASME 16.11.
 Butt weld (BW) ASME B16.25 on request.

INSTALLATION: Horizontal installation recommended, can be installed in any position.
 See IMI – Installation and maintenance instructions.

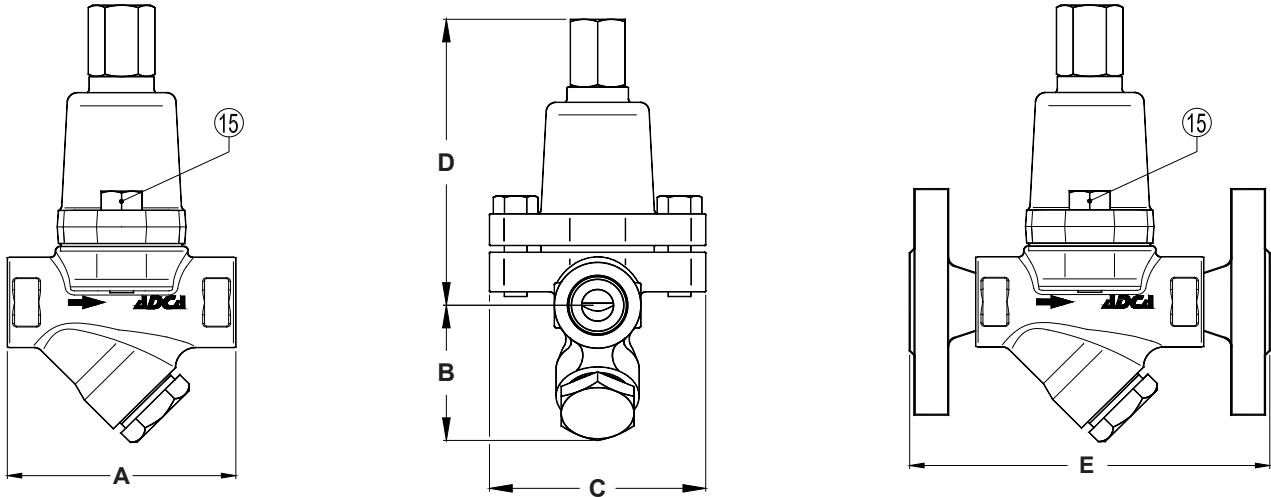


BODY LIMITING CONDITIONS		
FLANGED PN 40 / CLASS 300 *	FLANGED CLASS 150 **	RELATED TEMP.
ALLOWABLE PRESSURE	ALLOWABLE PRESSURE	
40 bar	19,3 bar	50 °C
35 bar	15,8 bar	150 °C
30,4 bar	12,1 bar	250 °C
27,6 bar	10,2 bar	300 °C

PMO – Max. operating pressure: 17 bar.
TMO – Max. operating temperature: 250 °C.
* Acc. to EN 1092-1:2018. ** Acc. to EN 1759-1:2004.
Body limiting conditions PN 40 or below, depending on the type of connection adopted. Rating PN 40 for threaded, SW and BW versions.

FLOW RATE CAPACITY (kg/h)												
MODEL	SIZE	TEMP. (°C) *	DIFFERENTIAL PRESSURE (bar)									
			0,5	1	2	4	6	8	10	12	14	17
BM20R	1/2" to 1" DN 15 to 25	10 **	125	200	320	410	445	485	500	540	580	600
BM20R	1/2" to 1" DN 15 to 25	20	200	300	440	550	580	600	620	670	700	720
BM20R	1/2" to 1" DN 15 to 25	40	380	500	700	970	990	1010	1050	1100	1130	1180
BM20R	1/2" to 1" DN 15 to 25	Cold	530	700	1210	1230	1320	1440	1650	1730	1780	1840

* Condensate discharge temperature below saturation temperature; ** Standard factory setting.



DIMENSIONS (mm)

SIZE	THREADED / SW					PN 40		CLASS 150		CLASS 300	
	A	B	C	D	WEIGHT (kg)	E	WEIGHT (kg)	E	WEIGHT (kg)	E	WEIGHT (kg)
1/2" – DN 15	95	59	95	125	2,3	150	3,9	150	3,4	150	4,2
3/4" – DN 20	95	59	95	125	2,3	150	4,7	150	3,9	150	5,5
1" – DN 25	95	65	95	125	2,5	160	5,1	160	4,7	160	6,3

MATERIALS

POS. N°	DESIGNATION	MATERIAL
1	Body	P250GH / 1.0460
2	Cover	P250GH / 1.0460
3	* Gasket	Stainless steel / Graphite
4	* Seat	Hardened stainless steel
5	* Plug	Hardened stainless steel
6	* Seat gasket	Copper
7	* Regulator	Bimetal
8	Adjusting screw	AISI 304 / 1.4301
9	Seal ring	Viton
10	* Gasket	Copper
11	Cap nut	AISI 304 / 1.4301
12	* Strainer screen	AISI 304 / 1.4301
13	Strainer cover	A 105 / 1.0432
14	* Gasket	Stainless steel / Graphite
15	Bolts	Stainless steel A2-70
16	* Blowdown valve	AISI 304 (see IS 1.150)
17	Ball check valve	AISI 440C / 1.4125

* Available spare parts.

