

THERMOSTATIC STEAM TRAPS AND AIR VENTS TH21

DESCRIPTION

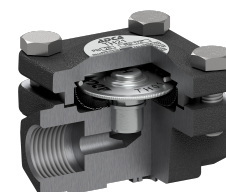
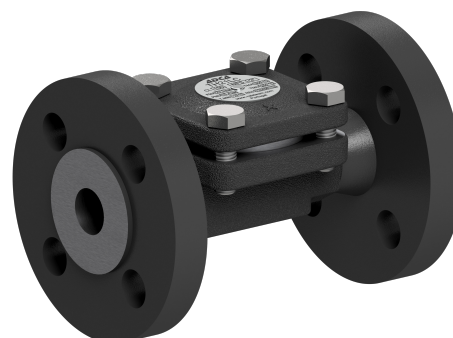
The TH21 series thermostatic steam traps and air vents are specifically designed for use on process equipment such as kettle cookers, sterilizers, food, chemical and laundry equipment.

MAIN FEATURES

- Modulating discharge.
- Discharges condensate close to steam temperature.
- Thermostats for different sub cooling (5 °C to 30 °C).
- Excellent air discharge.
- Operates on moderate superheated steam.
- Built-in strainer.

- USE: Saturated steam.
- AVAILABLE MODELS: TH21 – carbon steel.
TH21LC – carbon steel, low capacity.
- SIZES: 1/2"; DN 15.

- CONNECTIONS: Female threaded ISO 7 Rp or NPT.
Flanged EN 1092-1 PN 25.
Flanged ASME B16.5 Class 150.
Socket weld (SW) ASME 16.11.
Butt weld (BW) ASME B16.25 on request.



BODY LIMITING CONDITIONS		
FLANGED PN 25 *	FLANGED CLASS 150 **	RELATED TEMPERATURE
ALLOWABLE PRESSURE	ALLOWABLE PRESSURE	
23,2 bar	15,4 bar	100 °C
20,8 bar	13,8 bar	200 °C
19 bar	12,1 bar	250 °C

PMO – Max. operating pressure: 21 bar.

TMO – Max. operating temperature: 250 °C.

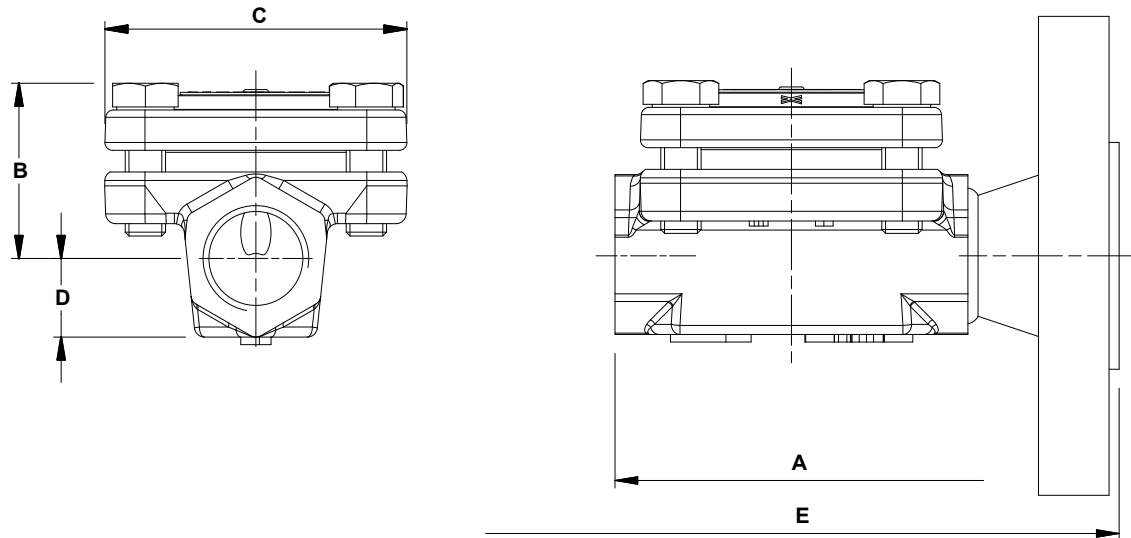
* Acc. to EN 1092-1:2018; ** Acc. to EN 1759-1:2004.

Body limiting conditions PN 25 or below, depending on the type of connection adopted. Rating PN 25 for threaded version.

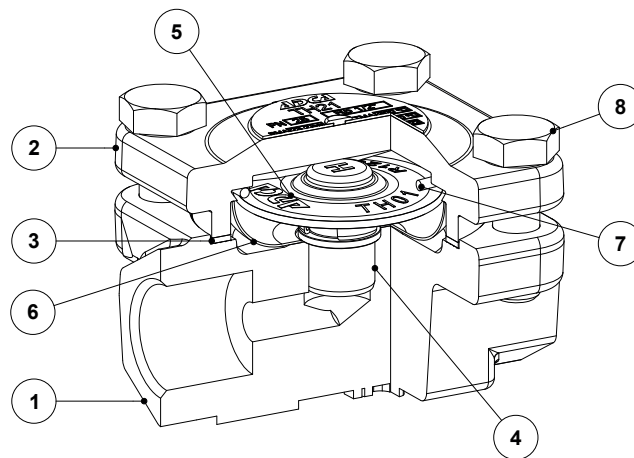
FLOW RATE CAPACITY (kg/h)																
MODEL	SIZE	DIFFERENTIAL PRESSURE (bar)														
		0,2	0,3	0,5	1	1,5	2	3	4	6	8	10	13	15	20	21
TH21	1/2" – DN 15	70	120	140	255	330	385	455	510	600	670	700	720	750	775	795
TH21LC	1/2" – DN 15	45	55	70	95	125	135	180	200	270	315	330	360	370	405	415

Capacities shown refer to condensate at 10 °C below saturated steam temperature (standard type S thermostat).

Thermostats for 5 °C (type H) and 30 °C (type L) also available. Capacities for cold condensate discharge at 20 °C are two to three times greater.



DIMENSIONS (mm)									
SIZE	THREADED					PN 25		CLASS 150	
	A	B	C	D	WEIGHT (kg)	E	WEIGHT (kg)	E	WEIGHT (kg)
1/2"	70	35	60	15	0,7	130	2,2	150	1,7



MATERIALS		
POS. N°	DESIGNATION	MATERIAL
1	Body	P250GH / 1.0460
2	Cover	P250GH / 1.0460
3	* Gasket	Stainless steel / Graphite
4	Valve seat	AISI 304 / 1.4301
5	* Thermostatic element	Stainless steel
6	* Strainer screen	AISI 304 / 1.4301
7	* Spring	AISI 302 / 1.4300
8	Bolts	Steel 8.8

* Available spare parts.